



FOR THE PERFECT FINISH

RAW PINE SIDE TABLE



■ 450 x 450 x 450

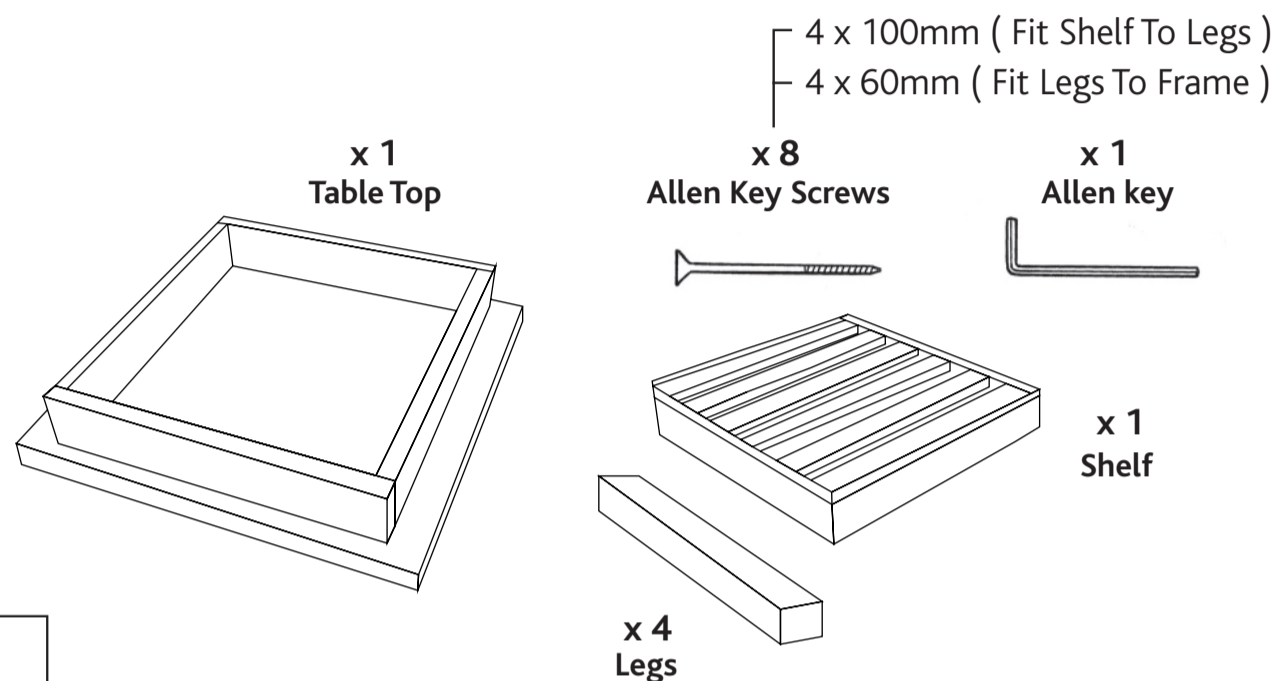
CREATE THE PERFECT FINISH

- Lightly sand the table in the direction of the wood grain with 220-grit sandpaper.
- Wipe off any dust and dirt with a clean cloth.
- Apply your chosen stain (or wood primer) evenly with a cloth, sponge or brush, and allow to dry completely.
- Once dry, apply a coat of appropriate sealer or paint, depending on the intended use of the table (interior or exterior). This will extend its lifespan.
- If painting, use a wood primer prior to applying paint to ensure a smooth finish.
- It is best to prime all the surfaces that need to be painted, to prevent stains and imperfections from showing. The primer must match the type of paint you have chosen.
- For best results, treat and seal the individual parts of your COL raw pine coffee table prior to assembly to ensure that all are thoroughly protected from the elements.

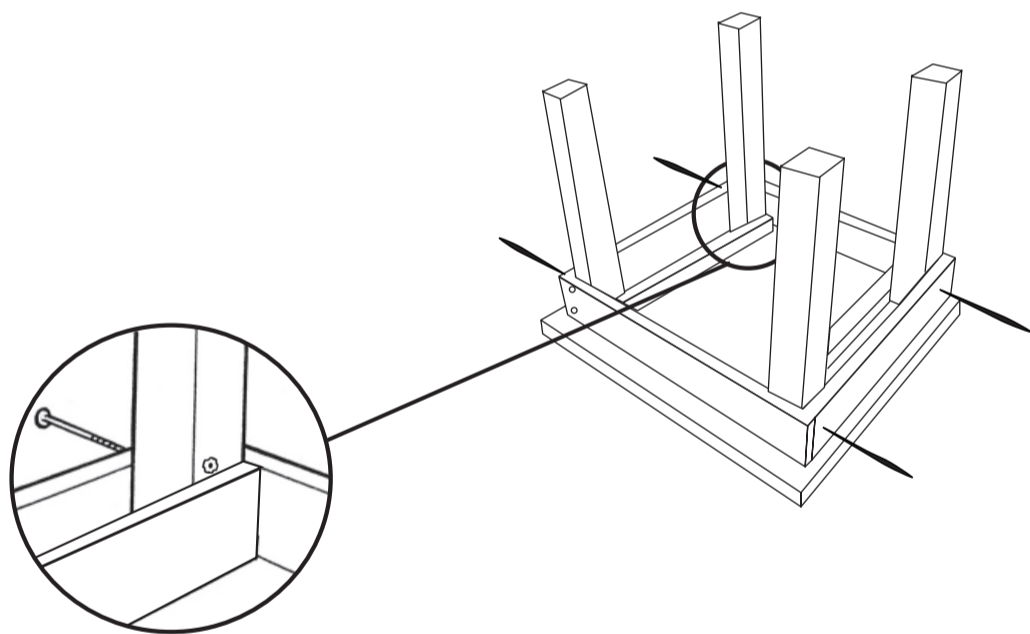


RAW PINE SIDE TABLE ASSEMBLY INSTRUCTIONS

Make sure you have all the following items included in your kit



HINT: If this side table is to be a permanent fixture, apply wood glue to all joints to improve strength and rigidity.



Assembly Instructions:

Read this carefully before attempting to assemble the side table:

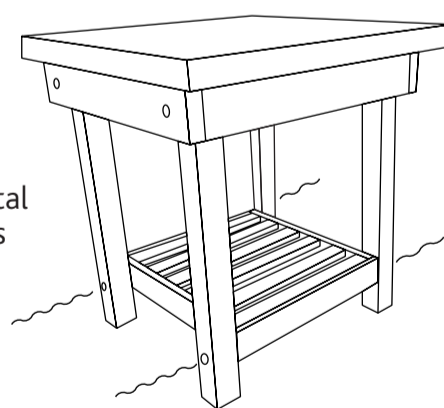
STEP 1:

Place the table top face down on the floor, using some protection to prevent spoiling the surface. Take table legs and position them with metal studs facing inwards. Fasten with screws and allen key supplied.

STEP 2:

Attach the shelf to the legs from the side using screws supplied

Ensure that the metal studs face inwards



HINT: A coat of paint or varnish will ensure that your side table will give you years of service.